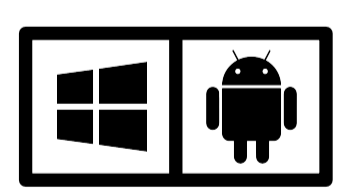


MAXHUB Raptor Series V3

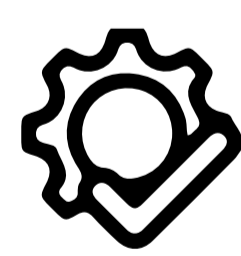
DvLED All-In-One Display

Introducing the next generation Raptor Series V3 - the perfect solution for all your display needs. With its integrated slim design, this product seamlessly fits into any environment. It features an Android 13.0 system, multiple built-in Android applications, and a high-performance processor. Enjoy wireless screen sharing, switchable launcher templates, keypad lock function, six high-performance speakers, and an optional expandable built-in PC. It supports MAXHUB Pivot for centralized management and is compatible with various video conferencing software and MAXHUB MTR certified products. Elevate your display experience with our versatile DvLED All-in-One display.



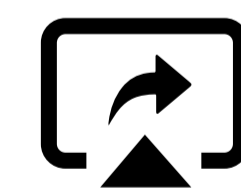
Dual System

Built-in Android 13 system & Optional Windows PC



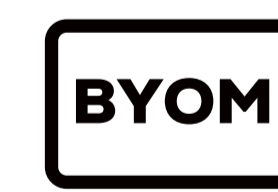
Convenient Device Control

Control via MAXHUB Touch Console or through application on mobile devices



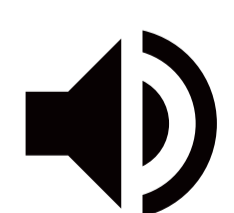
Wireless Screen Sharing

Via MAXHUB Share/dongles, Miracast, Chromecast or AirPlay



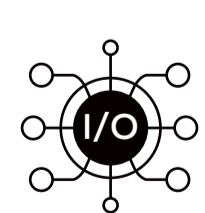
BYOM

Use your own device with the hardware already in the meeting room



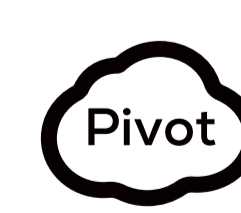
Immersive Audio System

4 full-range speakers + 2 low-frequency speakers
Maximum output power 120W



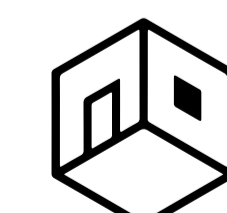
Abundant I/O Ports

Lots of A/V I/O connectivity options for external devices



Supports MAXHUB Pivot

Remote Management with MAXHUB Product Family



One-stop Solution for Large Space

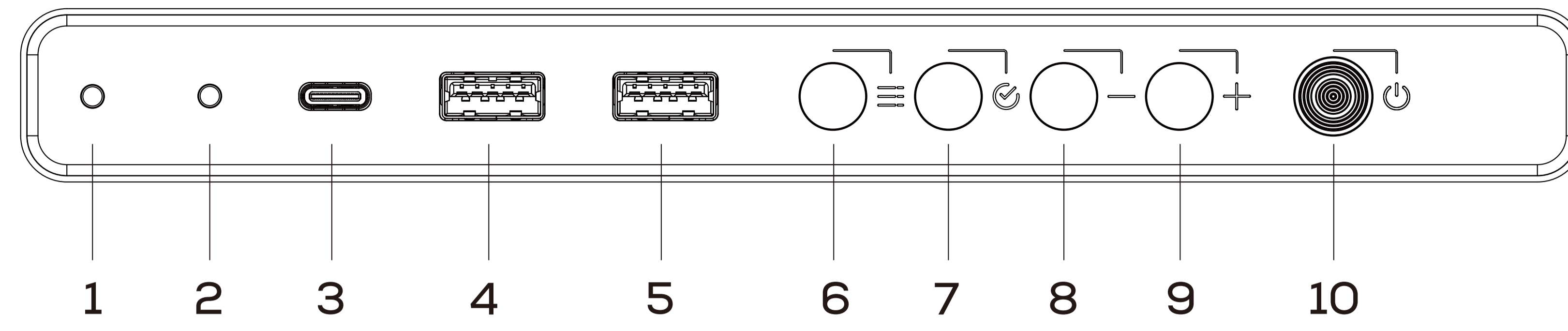
Bundle with other MAXHUB Products to enhance the meeting experience.

Model	LX120V07	LX138V07	LX150V07	LX165V07	LX180V07	LX220V07	LX220V18	
Physical Specification								
LED Type	SMD	SMD	SMD	SMD	SMD	SMD	SMD	
Size	120"	138"	150"	165"	180"	220"	220"	
Aspect Ratio	16:9	16:9	16:9	16:9	16:9	16:9	16:9	
Pixel Pitch (mm/in)	1.3 / 0.051	1.5/ 0.059	1.7/ 0.067	1.9/ 0.074	2/ 0.079	2.5/ 0.047	1.2/ 0.047	
Resolution	1920 × 1080	1920 × 1080	1920 × 1080	1920 × 1080	1920 × 1080	1920 × 1080	3840 × 2160	
Overall Size (W*H) (mm/in)	2694 × 1624/ 106.1 × 63.9	3080 × 1840/ 121.3 × 72.4	3360 × 1998/ 132.3 × 78.7	3690 × 2183/ 145.3 × 85.9	4026 × 2373/ 158.5 × 93.4	4910 × 2869/ 193.3 × 112.9	4910 × 2869/ 193.3 × 112.9	
Display Area (W*H) (mm/in)	2664 × 1499/ 104.9 × 59	3050 × 1715/ 120.1 × 67.5	3330 × 1873/ 131.1 × 73.7	3660 × 2058/ 144.1 × 81	3996 × 2248/ 157.3 × 88.5	4880 × 2744/ 192.1 × 108	4880 × 2744/ 192.1 × 108	
Screen Thickness (mm/in)	28/ 1.1	28/ 1.1	28/ 1.1	28/ 1.1	28/ 1.1	28/ 1.1	28/ 1.1	
Net Weight (Wall-mounting bar and stand not included) (kg/lb)	87/ 191.8	122/ 268.9	131/ 288.8	172/ 379.2	185/407.9	296/ 652.6	296/652.6	
Gross Weight (Including Wall-mounting bar) (kg/lb)	165/ 363.7	287/ 632.7	311/ 685.6	350/ 756.2	375/ 826.7	515/ 1135.4	515/ 1135.4	
Recommended Viewing Distance (m/ft)	≥ 2.8/ 9.19	≥ 3.2/ 10.5	≥ 3.4/ 11.15	≥ 3.8/ 12.47	≥ 4/ 13.12	≥ 5/ 16.4	≥ 5/ 16.4	
Maintenance Mode	Front Access	Front Access	Front Access	Front Access	Front Access	Front Access	Front Access	
Installation Options	Mobile Stand, Wall-mounting	Mobile Stand, Wall-mounting	Mobile Stand, Wall-mounting	Mobile Stand, Wall-mounting	Wall-mounting	Wall-mounting	Wall-mounting	
Screen and Module Dimension (Wooden Box) (W*H*D) (mm/in)	1 pc: 1680 × 810 × 915/ 66.1 × 31.9 × 36	1 pc: 1900 × 760 × 1215/ 74.8 × 29.9 × 47.8	1 pc: 2170 × 680 × 1255/ 85.4 × 26.8 × 49.4	1 pc: 1500 × 1250 × 1230/ 59.1 × 49.2 × 48.4	1 pc: 1310 × 1330 × 930/ 51.6 × 52.4 × 36.6	1 pc: 1560 × 1280 × 890/ 61.4 × 50.4 × 35	1 pc: 1560 × 1280 × 890/ 61.4 × 50.4 × 35	1 pc: 1560 × 1240 × 1070/ 61.4 × 48.8 × 42.1
Lower Frame and Wall-mounting Bar Packing Dimension (Wooden box) (W*H*D) (mm/in)	1 pc: 2135 × 562 × 509/ 84.1 × 22.1 × 20	1 pc: 2064 × 556 × 497/ 81.3 × 21.9 × 19.6	1 pc: 2135 × 562 × 509/ 84.1 × 22.1 × 20	1 pc: 2064 × 556 × 497/ 81.3 × 21.9 × 19.6	1 pc: 2135 × 562 × 509/ 84.1 × 22.1 × 20	1 pc: 2064 × 556 × 497/ 81.3 × 21.9 × 19.6	1 pc: 2064 × 556 × 497/ 81.3 × 21.9 × 19.6	

Electrical Parameter							
Operation Voltage	100~240VAC, 50/60Hz	100~240VAC, 50/60Hz	100~240VAC, 50/60Hz	100~240VAC, 50/60Hz	100~240VAC, 50/60Hz	100~240VAC, 50/60Hz	100~240VAC, 50/60Hz
Standby Power	≤0.5W	≤0.5W	≤0.5 W	≤0.5W	≤0.5W	≤0.5W	≤0.5W
Average Power Consumption of Overall Unit	0.483 KW	0.447 KW	0.575 KW	0.731 KW	0.78 KW	1.101 KW	1.514 KW
Maximum Power Consumption of Overall Unit	1.611 KW	1.491 KW	1.916 KW	2.438 KW	2.6 KW	3.67 KW	5.046 KW
Number of Power Cable	100-120V: 1 200-240V: 1	1 1	2 1	2 1	2 1	2 2	2 2

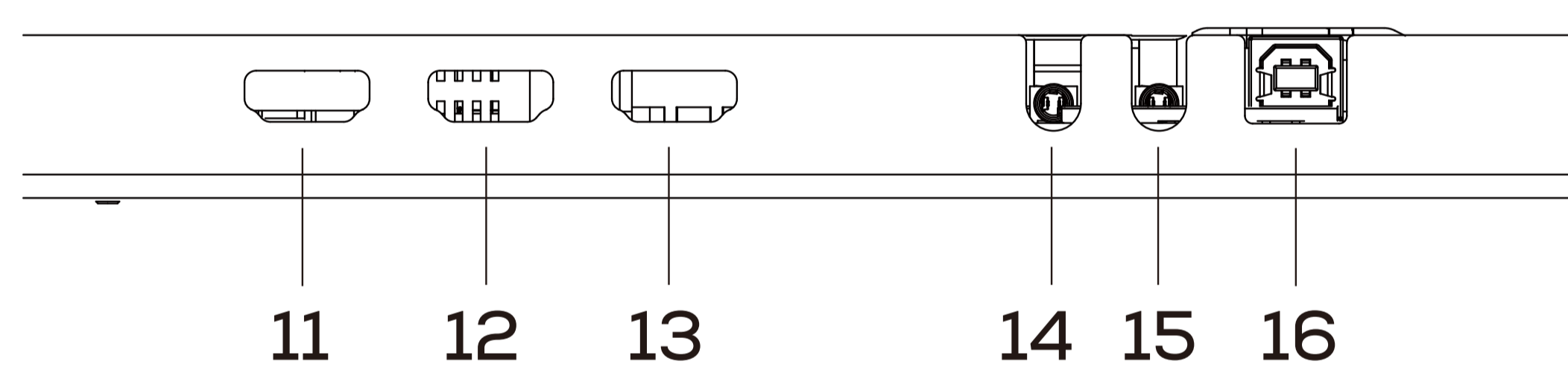
Optical Specification	
Brightness	100~600 nits (Adjustable)
Refresh Rate	3840 Hz
Gray Scale	13~16 bit
	6500:1
Color Temperature	2300~9300K (Adjustable)
Viewing Angle	160° (H) / 140° (V)
LED Lifespan	≥100,000 hrs

Built-in Interface

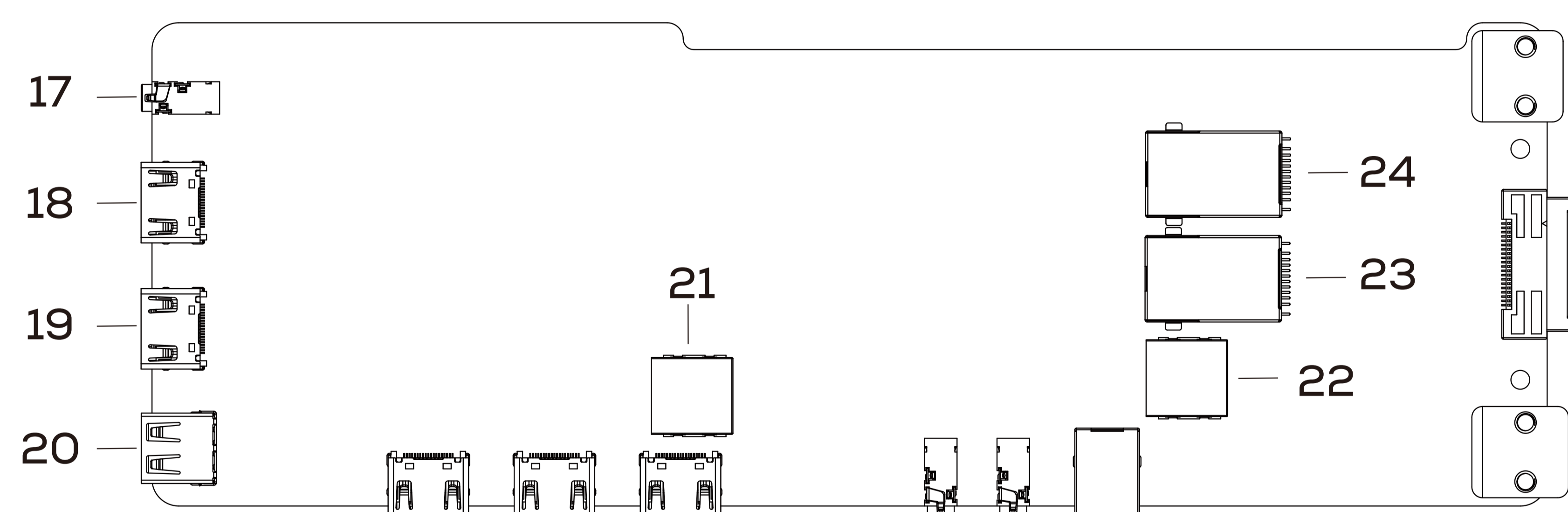


Forward Facing

NO.	Description
1	Light Sensor (intelligent space sensing, allowing for automatic brightness adjustment)
2	IR
3	Type C
4	USB 3.0
5	USB 3.0
6	Menu Button (including brightness, color temperature, contrast, sound, signal source and other sub-menus)
7	Bright/OK (1.When the menu is Not called up, it is the brightness adjustment button,and the + and - keys are used to adjust the brightness; 2.When the menu is called up, it is used as confirm button.)
8	1. In the brightness adjustment mode, it is the brightness reduction key; 2. When the Menu is called up, it is the left/down/minus key 3. The default is the volume down button
9	1. In the brightness adjustment mode, it is the brightness increase key; 2. When the menu is called up, it is the right/up/Add key; 3. The default is the volume up button.
10	Standby/Wake up button, dual-color indicator light (red/blue)



Downward Facing



Internal

NO.	Description
11	HDMI Input (HDMI 1.4)
12	HDMI Input (HDMI 1.4)
13	HDMI Output (HDMI 2.0)
14	3.5mm Audio Output
15	3.5mm Audio Input
16	USB Out (The computer can access to USB devices connected to panel , when connected to the Raptor through HDMI input and USB out at the same time)
17	3.5mm Audio Output
18	HDMI Input (HDMI 2.0, supports CEC)
19	HDMI Input (HDMI 1.4)
20	USB 2.0
21	RJ45 (Support RS232 Protocol)
22	RJ45 (with POE+ up to 30W, for Connection with MAXHUB PTZ Camera)
23	RJ45 OPS LAN
24	RJ45 Android LAN

Audio

Speaker Unit	4 full range units + 2 low frequency units
Speaker Max. Power	120W
Max. Sound Pressure Level	95 dB

System Parameter

Operating System	Android 13.0
CPU	Four Cortex-A76+ four Cortex-A55, frequency 2.4GHz
RAM	8GB
Storage	64GB
Media Format	Support mainstream video format such as MPEG-1, MPEG-2, MPEG-4, H.263, H.264, H.265, VC-1, VP9, VP8, MVC, AV1; Support audio formats such as MP3; Support JPG, JPEG, BMP, PNG, GIF and other image format.
Bluetooth	5.3
Wi-Fi	WiFi 6, AP and STA modes, and WiFi 6 dual-band 2.4G/5G are available

Accessories

Remote Control	1
Front Maintenance Tool	1
Tool kit	1
Wall-mounting Bar	1
Stand (optional)	ST90/ST92
Radar Touch Module (optional)	LID01A
PC Module (optional)	LMT71A

Environmental Parameter

Operation Temperature	-10°C~40°C
Operation Humidity	10%~80%RH No condensation

Statement

Size and weight vary by configuration and manufacturing process, please refer to the actual product.
The product images are for illustrative purposes only and may slightly differ in appearance, colour, size, etc. from the actual product.
The description, illustrations, etc. in this document may subject to change in accordance with the latest product specification and performance.
Should the above-mentioned change in the document become necessary, the document may be updated without written notice.